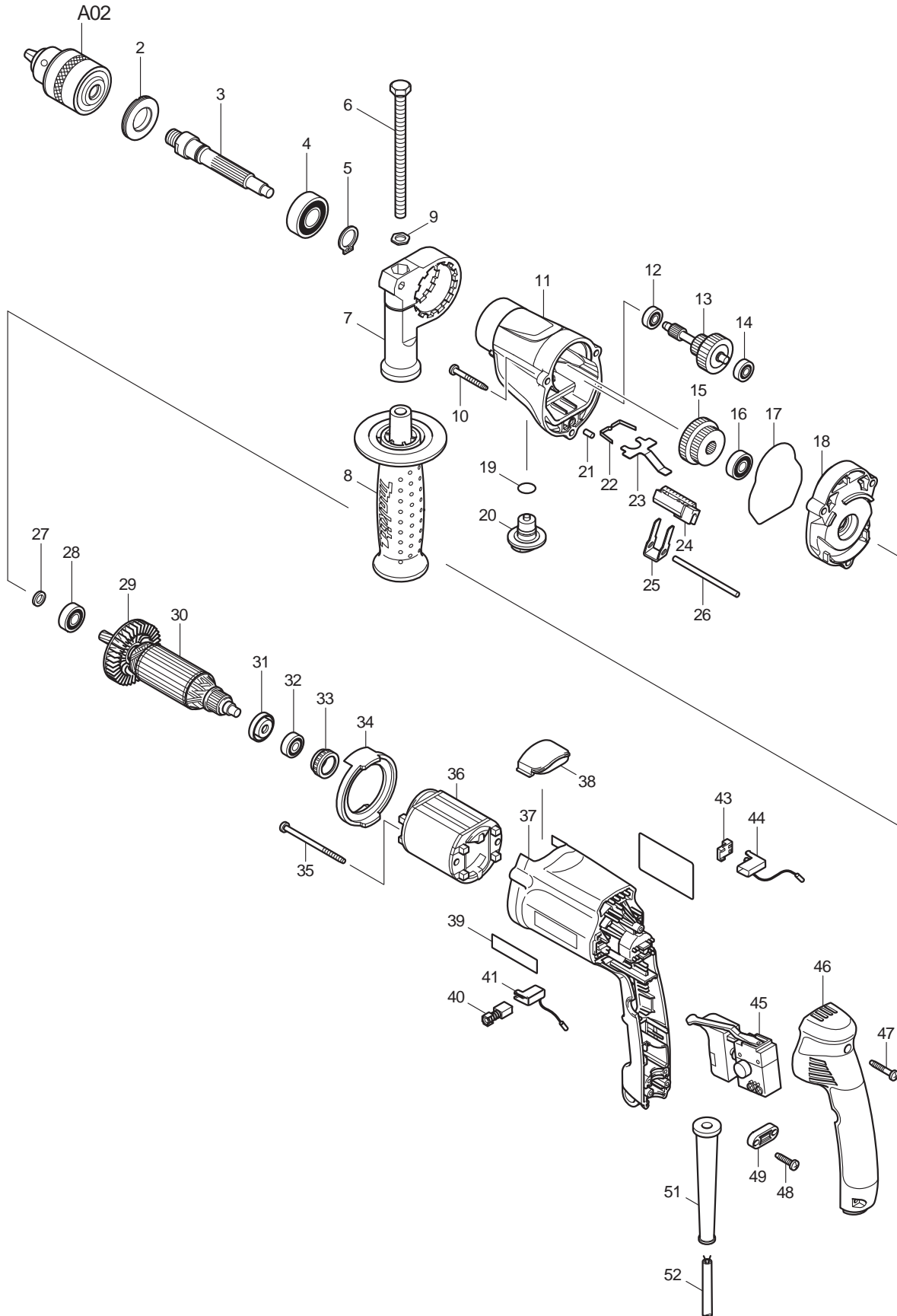




01 - 2010
DP4010
1/2" 2-SPEED DRILL



Item No.	Type	Sub	Part No.	Description	Qty	Unit
2			285806-9	BEARING RETAINER 19-36	1	PC.
3			324835-8	SPINDLE	1	PC.
4			211206-7	BALL BEARING 6202LLB	1	PC.
5			961055-9	RETAINING RING S-15	1	PC.
6			921923-8	HEX. BOLT M8X120	1	PC.
7			417630-4	GRIP BASE	1	PC.
8	1		152521-9	GRIP 36 COMPLETE	1	PC.
		INC.	931402-8	HEX. NUT M8	1	PC.
	2		153503-4	GRIP 36 COMPLETE	1	PC.
9			345280-4	HEX. WASHER	1	PC.
10			266351-3	TAPPING SCREW 4X35	3	PC.
11			318187-7	GEAR HOUSING	1	PC.
12			210028-2	BALL BEARING 606ZZ	1	PC.
13			153622-6	GEAR COMPLETE	1	PC.
14			210028-2	BALL BEARING 606ZZ	1	PC.
15			227030-8	SPUR GEAR 29-37	1	PC.
16			210029-0	BALL BEARING 608ZZ	1	PC.
17			421810-6	SEAL RING	1	PC.
18			158412-2	GEAR HOUSING COVER COMPLETE	1	PC.
		INC.	263002-9	RUBBER PIN 4	1	PC.
19			213122-9	O RING 12	1	PC.
20			417805-5	CHANGE LEVER B	1	PC.
21			256251-5	PIN 4	1	PC.
22			232143-2	LEAF SPRING	1	PC.
23			345225-2	LOCK PLATE	1	PC.
24			417804-7	RACK 12	1	PC.
25			345223-6	CHANGE PLATE B	1	PC.
26			268092-7	PIN 4	1	PC.
27			262087-2	RING 8	1	PC.
28			210005-4	BALL BEARING 608DDW	1	PC.
29			241881-5	FAN 52	1	PC.
30			517411-7	ARMATURE ASS'Y 115V	1	PC.
		INC.		Item No. 27,28,29,31,32		
31			681636-0	INSULATION WASHER	1	PC.
32			211021-9	BALL BEARING 607LLB	1	PC.
33			421494-0	RUBBER RING 19	1	PC.
34			417803-9	BAFFLE PLATE	1	PC.
35			266340-8	TAPPING SCREW 4X65	2	PC.
36			633525-5	FIELD 115V	1	PC.
37			417807-1	MOTOR HOUSING	1	PC.
38			450179-1	CAP	1	PC.
40	1		191927-6	CARBON BRUSH CB-407 2PC/SET (W/O ORIGIN)	1	SET
	2		195007-0	CARBON BRUSH CB-407 2PC/SET (W/ ORIGIN)	1	SET
41			643989-5	BRUSH HOLDER	1	PC.
43			689111-0	SPACER	2	PC.
44			643988-7	BRUSH HOLDER	1	PC.
45			650524-2	SWITCH TG813ALB-2	1	PC.
46			153284-0	HANDLE COVER COMPLETE	1	PC.
		INC.	263002-9	RUBBER PIN 4	2	PC.
47			266374-1	TAPPING SCREW 4X25	3	PC.
48			266326-2	TAPPING SCREW 4X18	2	PC.
49			687123-7	STRAIN RELIEF	1	PC.
51			682559-5	CORD GUARD 8	1	PC.
52			664891-9	CORD W/PLUG 2P-18-2.5M, SJ	1	PC.
100			654121-6	TAB	1	PC.
101			410102-8	KEY HOLDER	1	PC.

Item No.	Type	Sub	Part No.	Description	Qty	Unit
<u>ACCESSORIES</u>						
A01			324219-0	DEPTH GAUGE	1	PC.
A02			193067-6	DRILL CHUCK & KEY SET	1	SET
		INC.		Item No. A03	1	PC.
A03			763430-3	CHUCK KEY S13	1	PC.